

FSB

Flush pulls for
bathrooms and toilets





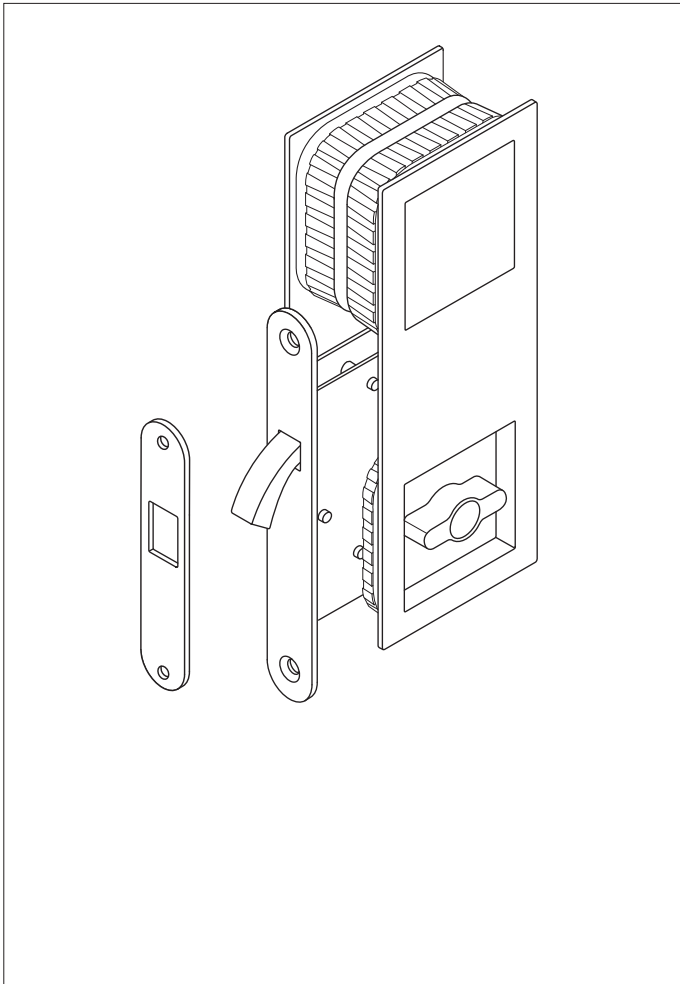
FSB's closed recessed pulls for flush mounting to sliding doors have already made quite a name for themselves: indeed, this formally and functionally innovative hardware solution was given an "honourable mention" by the red dot design awards jury. Closed flush pulls ensure a uniform appearance for the door leaf. The operating aperture is always blanked out by a flap that springs neatly into the closed position when the hardware is not being used. Hardware and door are suffused into a single entity in this way – the door's design credentials are significantly enhanced as a result.

With FSB 4255 9000 and FSB 4255 9001, we are adding furniture for bathrooms and toilets to our range of flush pulls. As well as being visually compelling, the Class 3 sliding-door mortise lock and striking plate supplied with the hardware (71/WC or 72/WC series) also guarantee straightforward assembly and dependable functioning thanks to the precision with which all components harmonise with one another. No visible fixings are required. FSB recommends performing all routing work on a CNC-basis.



reddot design award
honourable mention 2008

Set with 71/WC Series sliding-door mortise lock



4255 9000

■ Stainless steel

Suitable for doors at least 40 mm thick

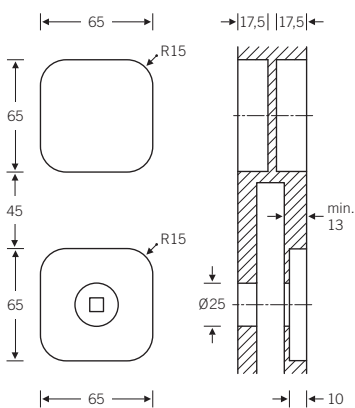
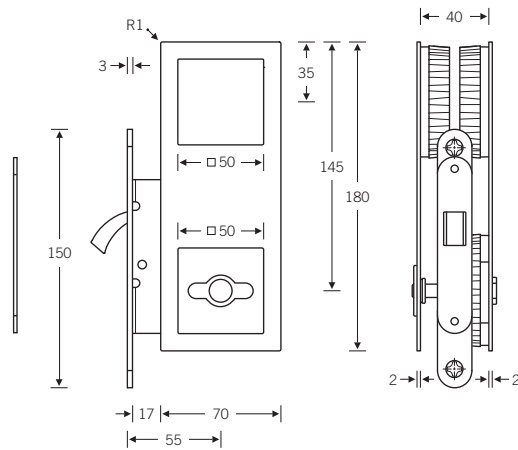


Figure left:
Routing dimensions for CNC processing

Set includes:

- Flush pull hardware
- 71/WC Series sliding-door mortise lock
- Striking plate

Set with 72/WC Series
sliding-door mortise lock

4255 9001

■ Stainless steel

Suitable for doors at least
40 mm thick

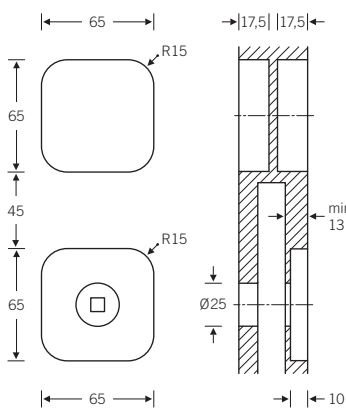
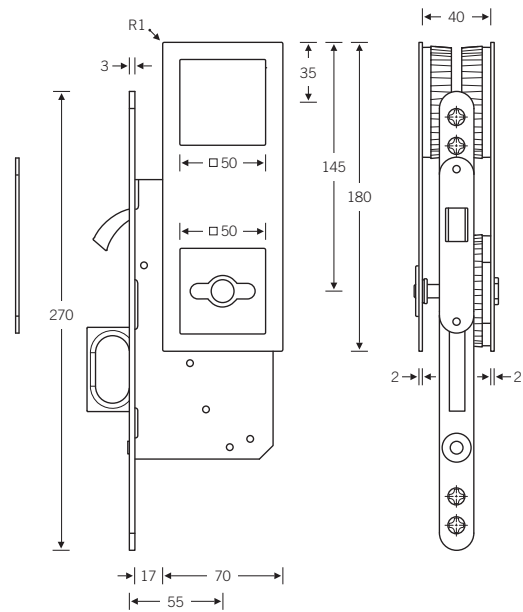
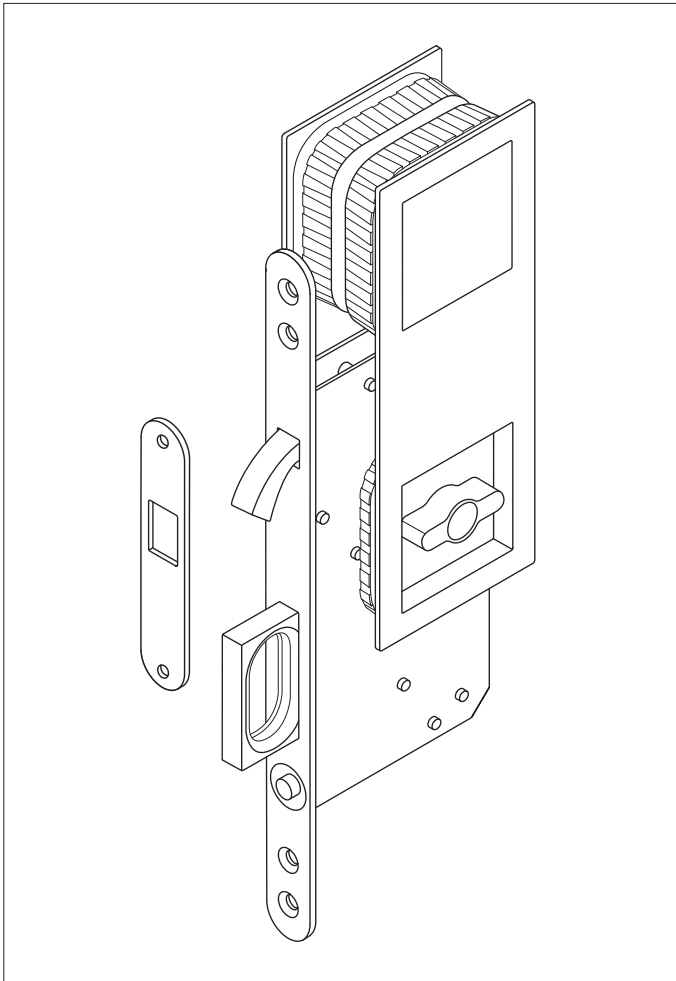
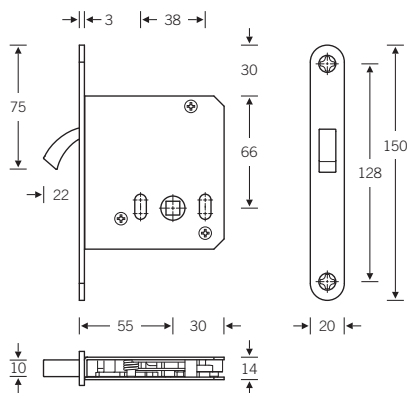


Figure left:
Routing dimensions for
CNC processing

Set includes:

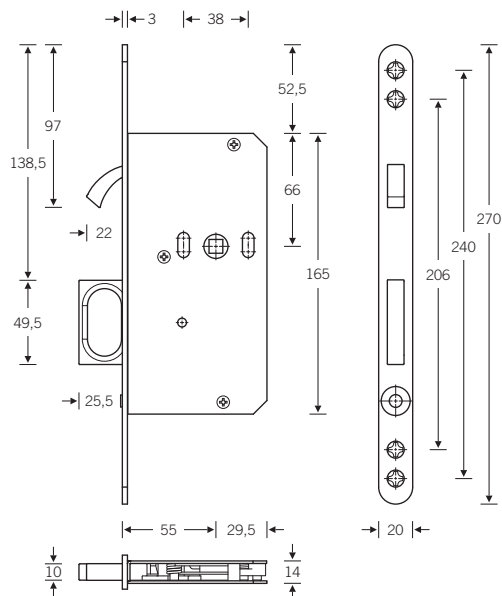
- Flush pull hardware
- 72/WC Series sliding-door mortise lock
- Striking plate

Sliding-door mortise locks



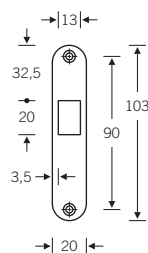
71/WC Series

Sliding-door mortise lock
Class 3
Flat forend with rounded corners
Forend stainless steel ground
Hook bolt nickel-plated



72/WC Series

Sliding-door mortise lock
Class 3
Flat forend with rounded corners
Forend stainless steel ground
Spring pull, hook bolt and stud nickel-plated



Each set includes a striking plate



Franz Schneider
Brakel GmbH + Co KG

FSB

Nieheimer Straße 38
33034 Brakel
Germany

Phone +49 5272 608-0
Fax +49 5272 608-300
www.fsb.de · info@fsb.de