

SIMONSWERK

TECTUS®

TE 240 3D

for unrebated and rebated flush residential doors

hinge

Technical details

load capacity	40,0 kg
overall length	155,0 mm
width (door)	18,0 mm
width (frame)	21,0 mm
cutter diameter	16,0 mm
opening angle	180° degree

descriptive text

SIMONSWERK TECTUS hinge TE 240 3D. Completely concealed for unrebated and rebated flush doors with timber, steel and aluminium frames. CE-certified, load capacity up to 40 kg, opening angle up to 180°, overall length 155 mm, right hand and left hand applicable, maintenance-free slide bearings, three-dimensionally adjustable: side +/- 3,0 mm, height +/- 3,0 mm, compression +/- 1,5 mm. Finish...

Note

The load capacity mentioned above refers to the use of 2 hinges per door leaf (1 x 2 m).

Finger protection on the hinge side due to a small gap between door and frame.

Product features

- completely concealed hinge system
- for timber, steel or aluminium frames
- for unrebated and rebated flush residential doors
- maintenance-free slide bearings
- with comfortable 3D adjustment (side +/- 3,0 mm, height +/- 3,0 mm, compression +/- 1,5 mm)

Classification key

2	7	2	0	1	* ¹	0	7
---	---	---	---	---	----------------	---	---

¹ depending on the finish

Quality marks



Combination

receiver

TE 240 3D FZ/1
TE 240 3D SZ



SIMONSWERK

TECTUS®

TE 240 3D

for unrebated and rebated flush residential doors

hinge

installation tools

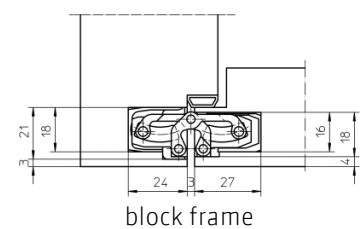
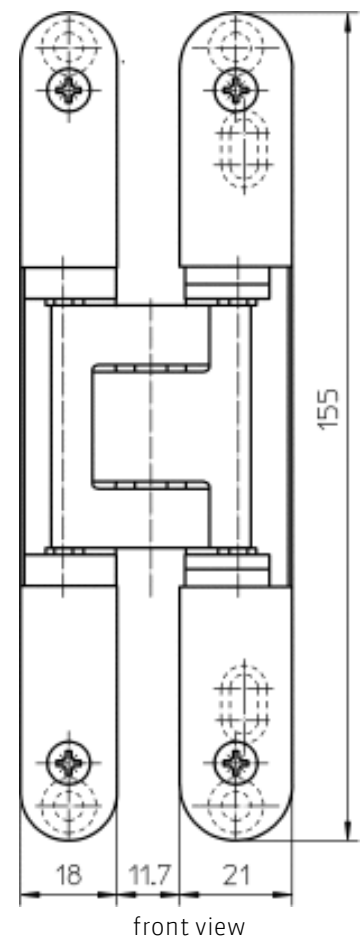
universal milling frame

template 5 250691 6

frame

template 5 250692 6

door



SIMONSWERK

TECTUS®

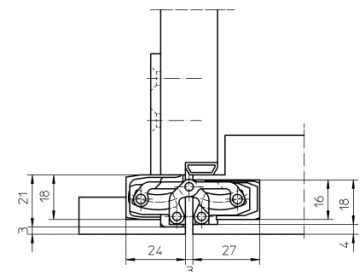
TE 240 3D

for unrebated and rebated flush residential doors

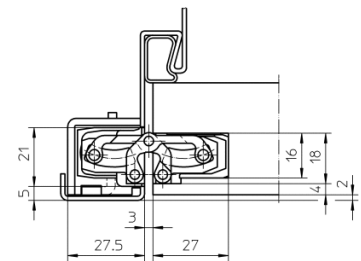
hinge

Items (DIN reference: DIN right and left hand)

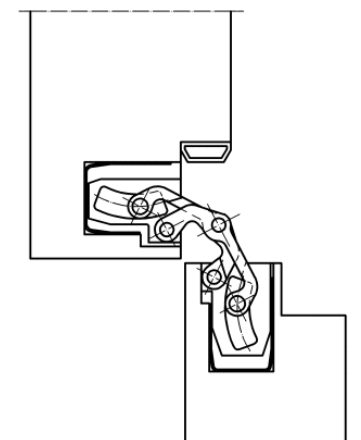
Finish(es)	polished brassed
packing unit	pack of 2
item number	5 400594 0 03002
Finish(es)	polished nickelled
packing unit	pack of 2
item number	5 400594 0 03802
Finish(es)	traffic white - RAL 9016
packing unit	pack of 2
item number	5 400594 0 07002
Finish(es)	powder-coated
packing unit	EUR-pallet
item number	5 400594 0 07975
Finish(es)	deep black - RAL 9005
packing unit	pack of 2
item number	5 400594 0 10702
Finish(es)	satin chrome look (F1)
packing unit	pack of 2
item number	5 400594 0 12402
Finish(es)	satin nickel look (F2)
packing unit	pack of 2
item number	5 400594 0 12502
Finish(es)	stainless steel look
packing unit	pack of 2
item number	5 400594 0 12602
Finish(es)	satin nickelled
packing unit	pack of 2
item number	5 400594 0 14402
Finish(es)	satin chromed
packing unit	pack of 2
item number	5 400594 0 14602
Finish(es)	rustic umber
packing unit	pack of 2
item number	5 400594 0 15602
Finish(es)	bronze metallic
packing unit	pack of 2
item number	5 400594 0 16802



casing frame



steel frame



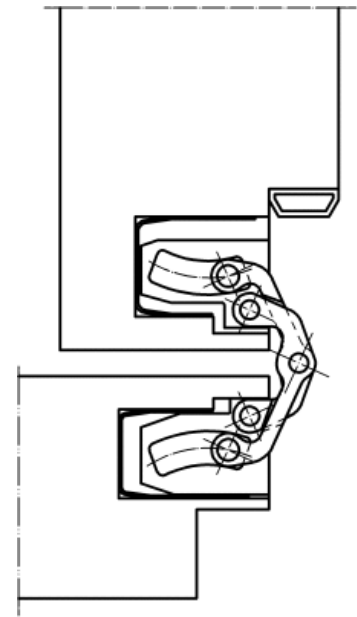
block frame 90°

SIMONSWERK
TECTUS®

TE 240 3D

for unrebated and rebated flush residential doors

hinge



block frame 180°

While every due care has been taken, we cannot be held responsible for errors, omissions or defects.
We kindly ask for your understanding.