

# SIMONSWERK

## TECTUS®

### TE 305 3D

for unrebated residential doors

#### hinge

#### Technical details

load capacity	60,0 kg
length (door/frame)	140,0/141,0 mm
width (door)	27,5 mm
width (frame)	29,0 mm
cutter diameter	24,0 mm
opening angle	180° degree

#### descriptive text

SIMONSWERK TECTUS hinge TE 305 3D. Completely concealed for unrebated doors with timber, steel or aluminium frames. Load capacity up to 60 kg, opening angle up to 180°, total length 140/141 mm, right hand and left hand applicable, maintenance-free slide bearing technology, three-dimensionally adjustable: Side +/- 3,0 mm, height +/- 3,0 mm, compression +/- 1,0 mm. Finish...

#### Note

The load capacity mentioned above refers to the use of 2 hinges per door leaf (1 x 2 m), for detailed information please look at the chapter "technical information".

#### Product features

- completely concealed hinge system
- for timber, steel or aluminium frames
- for unrebated residential doors
- maintenance-free slide bearings
- 3D adjustable (side +/- 3,0 mm, height +/- 3,0 mm, compression +/- 1,0 mm)

#### Quality marks

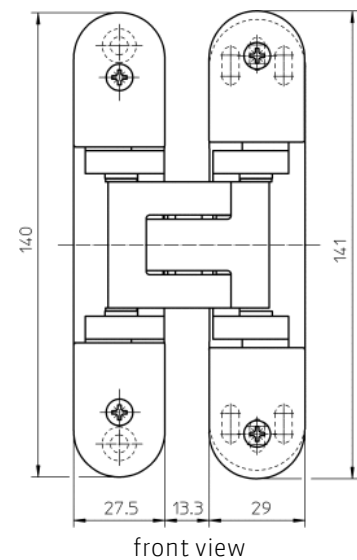
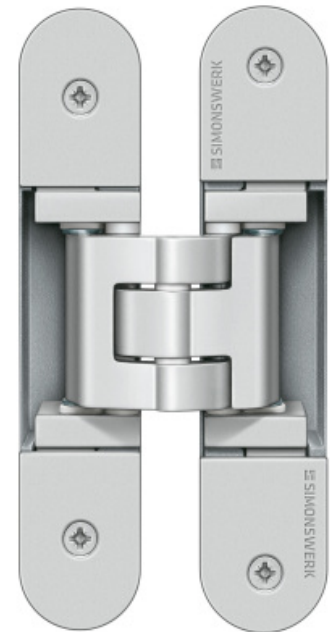


#### Combination

receiver	TE 310 3D FZ/1 TE 310 3D SZ
----------	--------------------------------

#### installation tools

universal milling frame	
template 5 250370 6	door
template 5 250371 6	frame



# SIMONSWERK

## TECTUS®

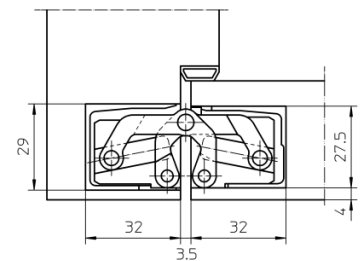
### TE 305 3D

for unrebated residential doors

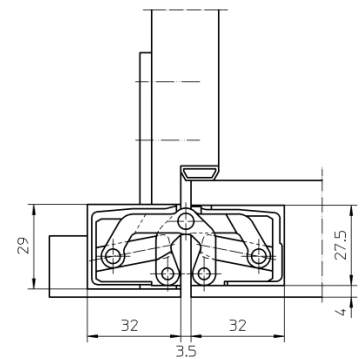
hinge

Items (DIN reference: DIN right and left hand)

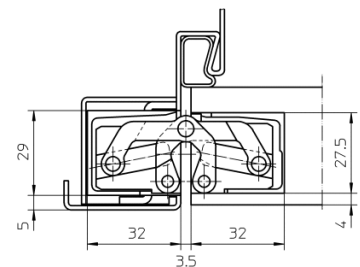
<b>Finish(es)</b>	satin chrome look (F1)
<b>packing unit</b>	pack of 2
<b>item number</b>	5 401252 0 12402
<b>Finish(es)</b>	stainless steel look
<b>packing unit</b>	pack of 2
<b>item number</b>	5 401252 0 12602



block frame



casing frame



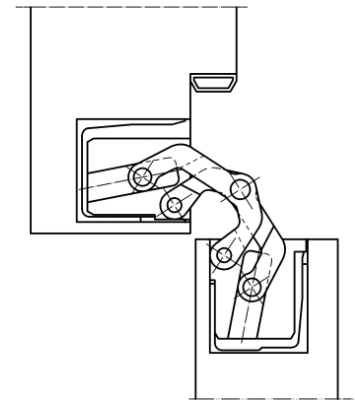
steel frame

# SIMONSWERK TECTUS®

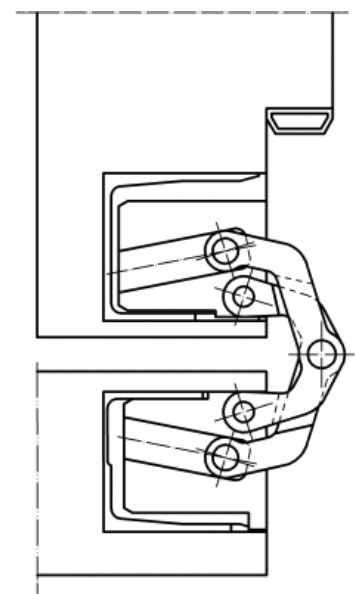
## TE 305 3D

for unrebated residential doors

hinge



block frame 90°



block frame 180°

While every due care has been taken, we cannot be held responsible for errors, omissions or defects. We kindly ask for your understanding.

© SIMONSWERK GMBH