

SIMONSWERK

TECTUS®

TE 526 3D

made from solid stainless steel for unrebated heavy-duty doors

hinge

Technical details

load capacity	120,0 kg
overall length	155,0 mm
width (door)	26,0 mm
width (frame)	26,0 mm
cutter diameter	24,0 mm
opening angle	180° degree

descriptive text

SIMONSWERK TECTUS hinge TE 526 3D made from solid stainless steel. Completely concealed for unrebated doors with timber, steel and aluminium frames. With comfortable 3D adjustment, load capacity up to 120 kg, opening angle up to 180°, overall length 155 mm, right hand and left hand applicable, maintenance-free slide bearings, three-dimensionally adjustable: side +/- 3,0 mm, height +/- 3,0 mm, compression +/- 1,0 mm. Finish...

Note

The load capacity mentioned above refers to the use of 2 hinges per door leaf (1 x 2 m).

Finger protection on the hinge side due to a small gap between door and frame.

Product features

- completely concealed hinge system
- for timber, steel or aluminium frames
- for unrebated heavy-duty doors
- maintenance-free slide bearings
- 3D adjustable (side +/- 3,0 mm, height +/- 3,0 mm, compression +/- 1,0 mm)
- material stainless steel

Functional areas

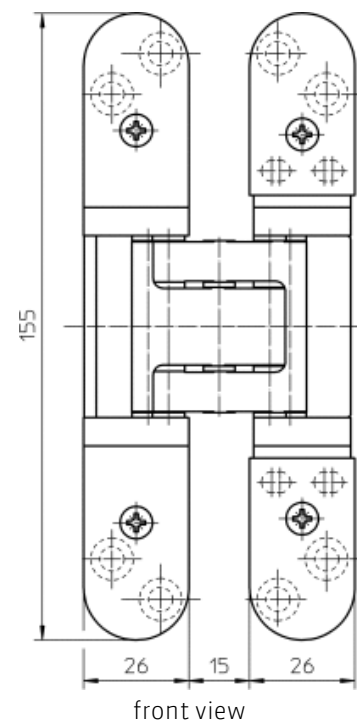
fire resistance, smoke resistance, soundproof und burglar resistance

Combination

receiver	TE 525 3D FZ/1 TE 525 3D SZ
----------	--------------------------------

installation tools

universal milling frame	
drilling jig TECTUS TE 525 3D	block frame and blind frame
template 5 250547 6	frame / door



SIMONSWERK
TECTUS®

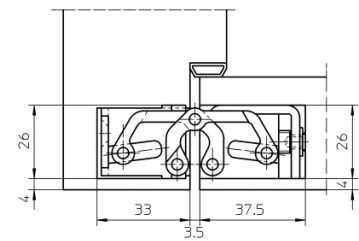
TE 526 3D

made from solid stainless steel for unrebated heavy-duty doors

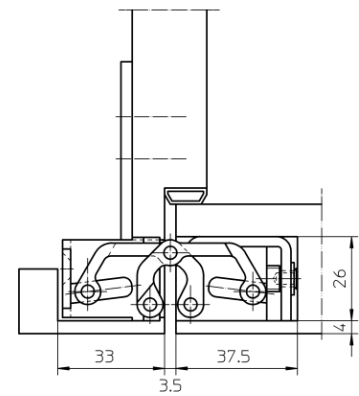
hinge

Items (DIN reference: DIN right and left hand)

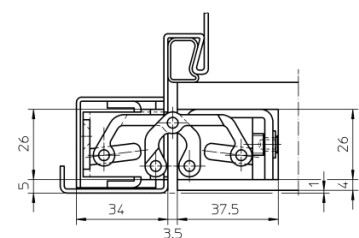
Finish(es)	satin brushed stainless steel
packing unit	pack of 2
item number	5 400561 0 04002



block frame



casing frame



steel frame